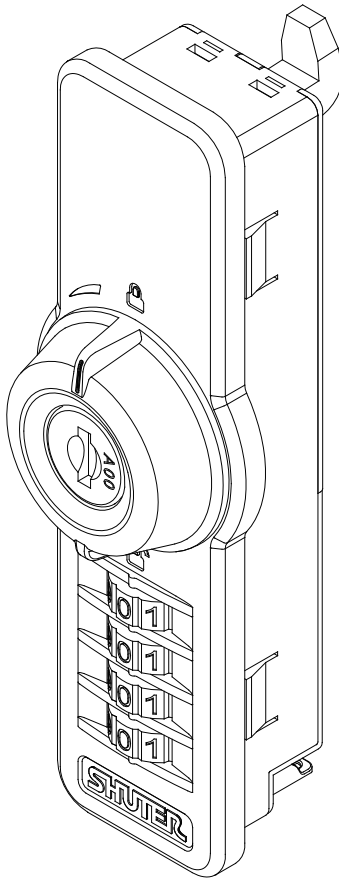


# DU Digital Lock Operation Instruction



Scan the code to read the instruction on line



---

1. Digital lock operation instruction

---

2. How to unlock by using codes & master key

---

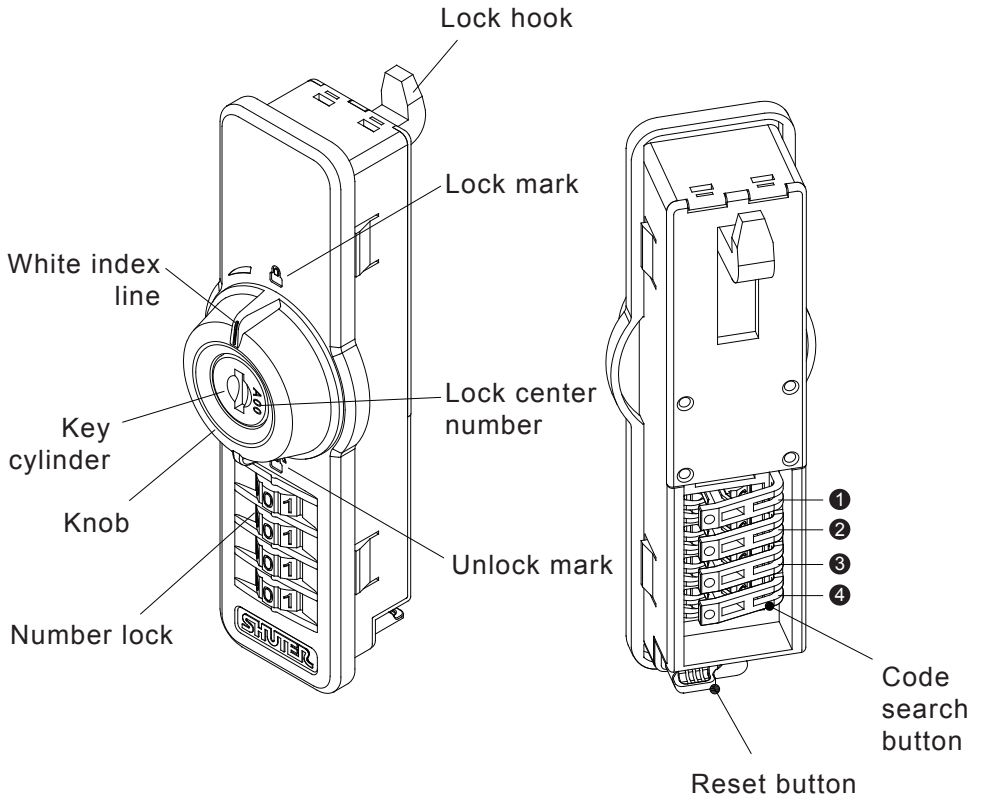
3. How to locate the codes when losing password

---

4. How to relocate the password

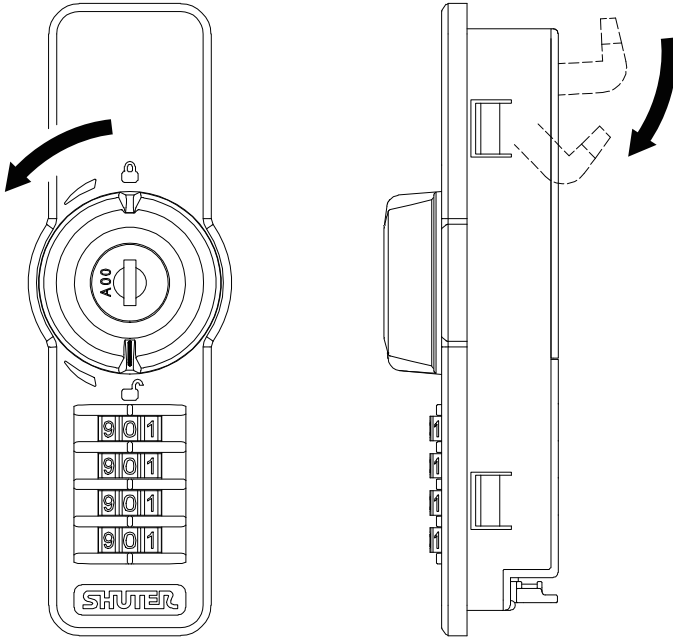
---

# Digital Lock Operation Instruction:



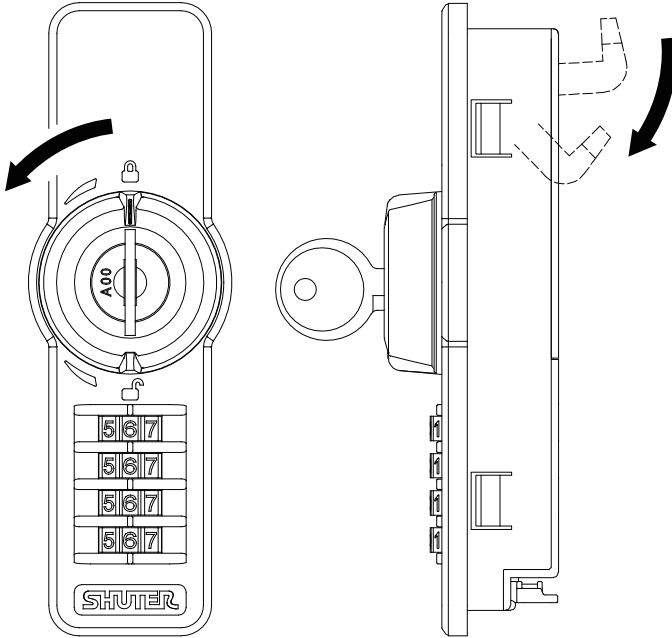
- (1) Original password is 0000 and 4 digital cods is required for setting up new password.
- (2) Master key needs to keep secure and only to be used for searching password. When losing the key, please contact the local locksmith to open it.
- (3) When locked, the white index line will point to the lock mark then the lock center number will locate in the right position

# 2-1 How to unlock by using codes & master key



- (1) Using the correct password (turn the number lock in both clockwise or counterclockwise to make the correct password locates in the center)
- (2) Then to turn the knob in counterclockwise in 180 degree to make the white index line points to the unlock mark to open the door

# 2<sup>-2</sup> How to unlock by using codes & master key



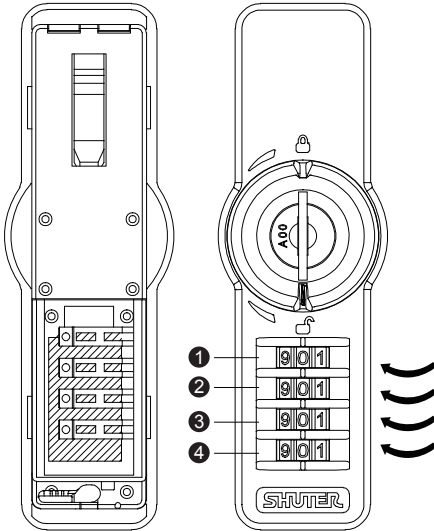
(1) Insert the key into the keyhole

(2) Using the key to turn left 180 degree to unlock  
(reverse action to lock )

⚠ Do not turn the knob when operating the key

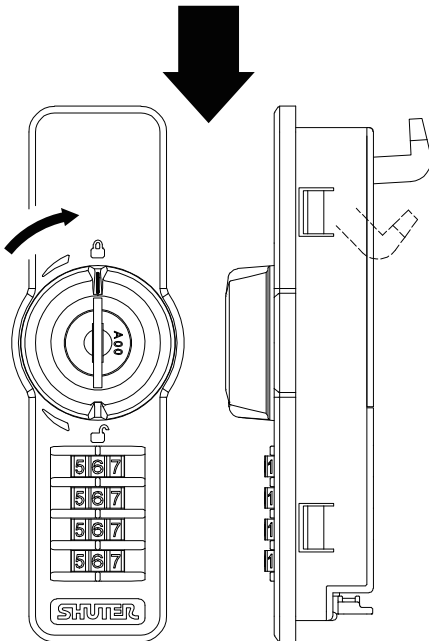
⚠ Upon unlock, the key cylinder will hold on to the key so do not pull out; otherwise, it will damage the key cylinder.

# 3 How to locate the codes when loosing password



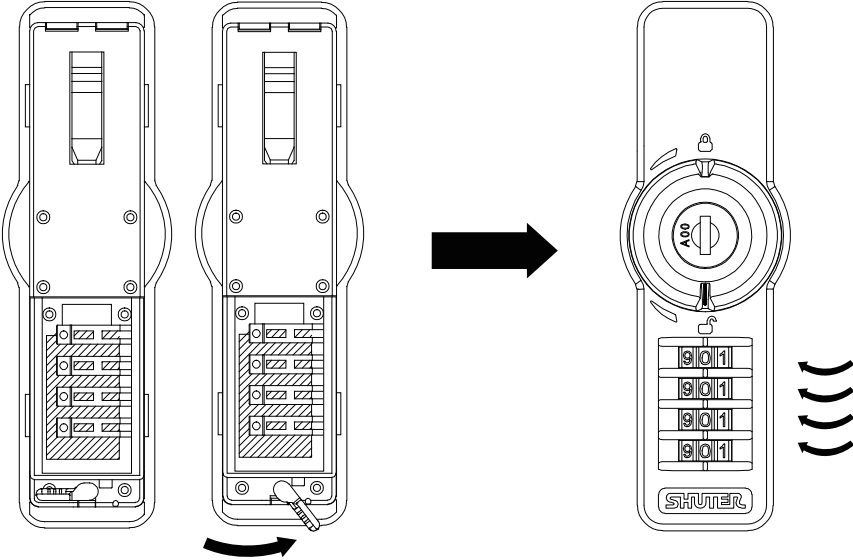
- (1) When using the key to unlock, the white index line the lock center number will locate in the left position (please refer to instruction 2-2)
- (2) Using fingers to press and hold the search button no. 4 on the back side
- (3) Turn the no. 4 search button from right to the left direction, when the number lock locks on so it is the correct password
- (4) Repeating the step (2) & (3) from the lower position to the top position to look for other 3 codes

⚠ Do not rotate other codes simultaneously when tending to one



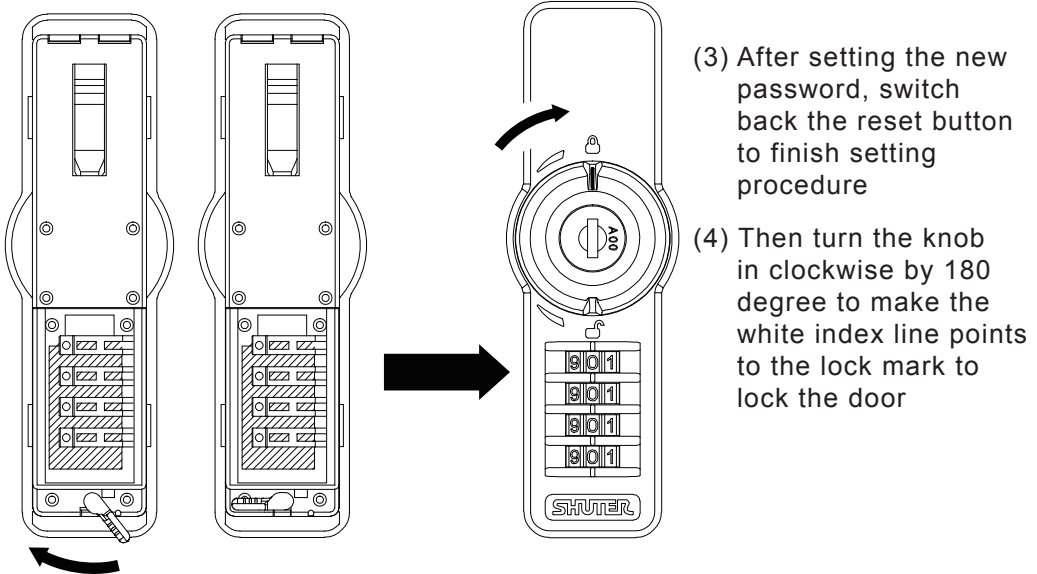
- (5) After finding the correct codes, please use the key to lock the lock first then to pull out the key after that
- ⚠ Do not pull out the key out before punching in the codes or key cylinder will break.

# 4 How to relocate the password



(1) After unlock, switch the reset button

(2) Rotating the number lock to reset the new password





(3) After setting the new password, switch back the reset button to finish setting procedure

(4) Then turn the knob in clockwise by 180 degree to make the white index line points to the lock mark to lock the door

**SHUTER** Enterprise Co., Ltd.

 [www.shuter.co](http://www.shuter.co)  [info@shuter.co](mailto:info@shuter.co)

 Tel:+886-4-23358800  Fax:+886-4-23358577